

SERVER®

• E S S E N T I A L S •

Food Jar Pumps Stainless Steel Slim Fountain Jar Pumps

SPECIFICATION SHEET



FAST FACTS

Stainless Steel Slim Fountain Jar Pumps are available to fit 1 ½ qt or 2 qt slim fountain jars (sold separately) and dispense 1 oz or 1 ¼ oz max portions adjustable in 1/8 oz increments.

APPLICATIONS

- Dispense syrups, sauces, concentrates or other ingredients from a fountain jar with precise portion control
- Models for countertop, drop-in or fountainette applications
- Use interchangeable colored, engraved knobs to identify contents; black is standard (details on p 4)

DETAILS

- More topping options in the same space; six slim jars fit in the space of four standard jars
- Models for countertop, drop-in or slanted fountainette applications, for 1 ½ qt or 2 qt slim fountain jars
- Manage food costs and flavor with precise portion-control
- Drop-in models feature a higher discharge point for additional serving clearance NSF listed, clean-in-place certified or disassemble for cleaning



1 ½ QT FOUNTAIN JARS



CP-200 Slim 85330



FP-200V Slim 85310



FP-200 Slim 85350

2 QT FOUNTAIN JARS



CP-F Slim 85340



FP-V Slim 85300



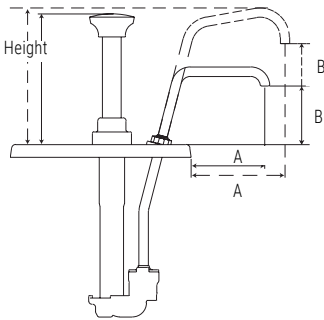
FP Slim 85360

Purposefully made to last.

SEE TABLE FOR APPLICABLE TRAITS BY MODEL	
DISPENSES KEY	THIN fountain syrups • oils • hot sauce
	THICK ketchup • mustard • mayo • bbq
	THICKER tartar sauce • crafted sauces
APP KEY	AMBIENT COLD HOT

STAINLESS STEEL SLIM FOUNTAIN JAR PUMPS (1-1/2 QT) MODELS: CP-200 SLIM, FP-200V SLIM, FP-200 SLIM

Server stainless steel pumps for 1 1/2 qt slim fountain jars dispense thin, thick, or thicker craft sauces from a countertop station or slanted fountainette. 1 oz maximum portion can reduce in 1/8 oz increments. NSF listed, clean-in-place certified and BPA Free. Two-year warranty.



CP-200 Slim 85330



FP-200V Slim 85310



FP-200 Slim 85350

order amt	dispenses	model/item	application	lid only	pump & lid fit	full portion	dim above jar (H x W x D)	weight	dim a	dim b
<input type="checkbox"/>		CP-200 Slim 85330		83196	1 1/2 qt fountain jar, shallow	1 oz	5 1/2" x 3 1/16" x 7 1/8"	3 lb	3 7/8"	4 1/16"
<input type="checkbox"/>		FP-200V Slim 85310		83188	1 1/2 qt fountain jar, shallow	1 oz	5 1/8" x 3 1/16" x 7 1/8"	3 lb	2 7/8"	2 5/16"
<input type="checkbox"/>		FP-200 Slim 85350		83192	1 1/2 qt fountain jar, shallow (slanted)		5 1/8" x 3 1/16" x 7 1/8"	3 lb	2 1/8"	2 7/8"

Dispensers above fit a slim fountain jar, sold separately; available in white, black and orange (featured on p 4).

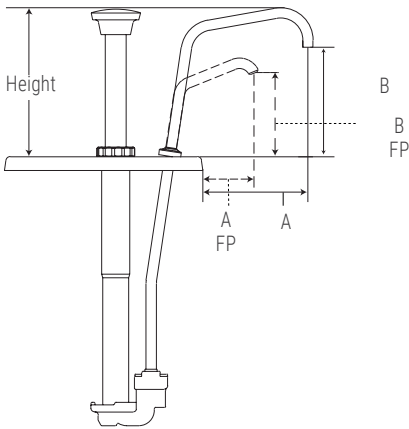
GET OUT ALL THE GOOD WITH SLIM FOUNTAIN JAR PUMPS
 SERVER-PRODUCTS.COM | 800.558.8722 | 262.628.5600

Purposefully made to last.

SEE TABLE FOR APPLICABLE TRAITS BY MODEL	
DISPENSES KEY	THIN fountain syrups • oils • hot sauce
	THICK ketchup • mustard • mayo • bbq
	THICKER tartar sauce • crafted sauces
APP KEY	AMBIENT COLD HOT

STAINLESS STEEL SLIM FOUNTAIN JAR PUMPS (2 QT) MODELS: CP-F SLIM, FP-V SLIM, FP SLIM

Server stainless steel pumps for 2 qt slim fountain jars dispense thin, thick, or thicker craft sauces from a countertop station or slanted fountainette. A 1 1/4 oz maximum portion can reduce in 1/8 oz increments. NSF listed, clean-in-place certified and BPA Free. Two-year warranty.



CP-F Slim 85340



FP-V Slim 85300

order amt	dispenses	model/item	application	lid only	pump & lid fit	full portion	dim above jar (H x W x D)	weight	dim a	dim b
<input type="checkbox"/>		CP-F Slim 85340		83195	2 qt fountain jar, deep	1 1/4 oz	5 1/8" x 3 1/16" x 7 1/8"	3 lb	3 7/8"	4 1/16"
<input type="checkbox"/>		FP-V Slim 85300		83187	2 qt fountain jar, deep (use DI model for drop-in)	1 1/4 oz	5 1/8" x 3 1/16" x 7 1/8"	3 lb	2 7/8"	2 9/16"
<input type="checkbox"/>		FP Slim 85360		83191	2 qt jar, deep (slanted) (use DI model for drop-in)	1 1/4 oz	5 1/8" x 3 1/16" x 7 1/8"	3 lb	1 7/8"	3"

Dispensers above fit a slim fountain jar, sold separately; available in white, black and orange (featured on p 4).

GET OUT ALL THE GOOD WITH SLIM FOUNTAIN JAR PUMPS
 SERVER-PRODUCTS.COM | 800.558.8722 | 262.628.5600

STAINLESS STEEL FOUNTAIN JAR PUMPS—RELATED ITEMS

SLIM FOUNTAIN JARS

High-impact polypropylene fountain jars feature molded-in feet to prevent tipping during filling. Fountain jars can be dropped into a countertop cutout, or placed into a topping station or fountainette. For more information on fountain jars, see sheet 02158.



order amt	jar color	item	description	capacity
<input type="checkbox"/>	<input type="checkbox"/>	83181	slim, shallow fountain jar	1 ½ qt
<input type="checkbox"/>	<input checked="" type="checkbox"/>	83157		
<input type="checkbox"/>	<input checked="" type="checkbox"/>	83158		
<input type="checkbox"/>	<input type="checkbox"/>	83182	slim, deep fountain jar	2 qt
<input type="checkbox"/>	<input checked="" type="checkbox"/>	83159		
<input type="checkbox"/>	<input checked="" type="checkbox"/>	83162		

COLORED KNOBS

Interchangeable engraved and colored knobs help staff and patrons identify contents, coordinate with store themes or promote branded products. Specify color and text at time of order – exact shade may vary from picture.



INTEGRATE YOUR SLIM PUMPS INTO A STATION

Need to add a few extra pumpable flavors, but can't eliminate any from your station? Add more options with slim jars and pumps! Three slim fountain jars fit in the space of two standard fountain jars, so you can keep your chocolate sauce and have strawberry syrup, too!



GET OUT ALL THE GOOD WITH SLIM FOUNTAIN JAR PUMPS
SERVER-PRODUCTS.COM | 800.558.8722 | 262.628.5600